

Fiber Coupled High-Speed InGaAs PIN Photodiode



(all fiber types, SM, PM, MM, 900 to 1600nm., high speed up to 0.3ns)

DATASHEET

[Return to the Webpage](#)



Applications

- Channel Monitoring
- Power Monitoring in Optical
- Interface Modules
- Gain Monitoring for Amplifier
- Instruments

Features

- Low Cost
- Large Bandwidth
- ns Fast Response
- High Reliability

The Fiber Coupled High-Speed InGaAs PIN Photodiode is based on a unique package featuring a high-speed, fast rise and fall response. The component integrates a fiber with a high-sensitivity photodiode for signal detection. The response is analog without TIAC. Our design minimizes component assembly costs and module footprint while increasing stability over wide temperature and wavelength ranges. We offer three response speeds of 200MHz, 2.5GHz, and 5GHz. The slow version uses a larger detector size, which provides higher efficiency, while the fast version uses a smaller detector size to increase the response speed.

Associated sensor electronic amplifier is also available.

Specifications

Parameter	Min	Typical	Max	Unit
Central Wavelength	900		1600	nm
Responsivity ^[1]	0.7	0.9		A/W
Input Power	-45		17	dBm
PDL ^[2]		0.03	0.05	dB
Polarization extinction ratio ^[3]	18	23		dB
Dark Current at 23°C		0.4	1.0	nA
Capacitance		0.2	0.9	pF
Reverse Voltage			5	V
Response Frequency	0.2	2.5	5	GHz
Operating Temperature	-40		75	°C
Storage Temperature	-40		85	°C
Reliability	Telcordia 1209 and 1221			

Notes:

- [1]. The net responsivity is defined as the ratio of the PD current output and optical power measured at output fiber
- [2]. Single Mode Fiber version only.
- [3]. PM Fiber version only.
- [4]. Directivity defines the responsivity contrast between the case that light power comes from input fiber port and the case that light power comes from output fiber port. From 1260 to 1620nm.

Note: The specifications provided are for general applications with a cost-effective approach. If you need to narrow or expand the tolerance, coverage, limit, or qualifications, please [\[click this link\]](#):

Warning: The device is extremely ESD-sensitive. Its dark current increases by unprotected handling. It is recommended to be handled under a certified ion fan once the package is removed.

Legal notices: All product information is believed to be accurate and is subject to change without notice. Information contained herein shall legally bind Agiltron only if it is specifically incorporated into the terms and conditions of a sales agreement. Some specific combinations of options may not be available. The user assumes all risks and liability whatsoever in connection with the use of a product or its application.

Rev 02/05/25

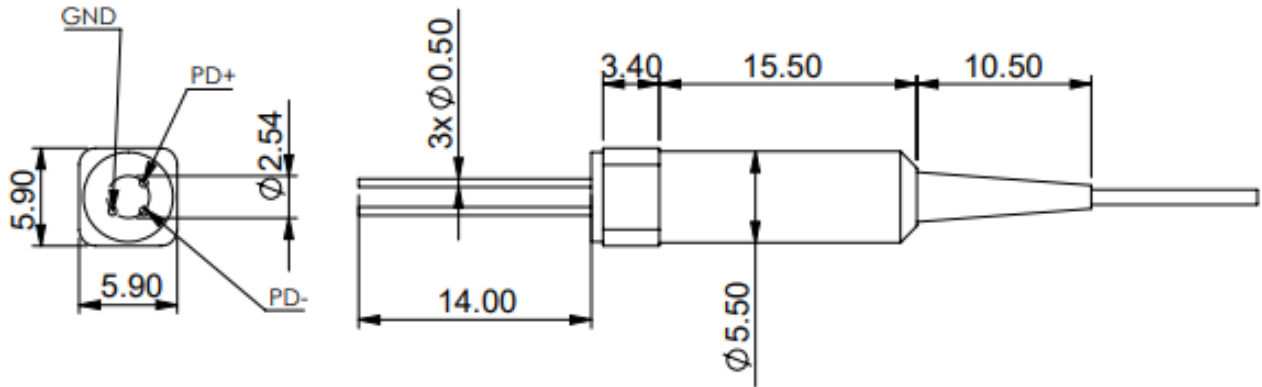
Fiber Coupled High-Speed InGaAs PIN Photodiode



(all fiber types, SM, PM, MM, 900 to 1600nm., high speed up to 0.3ns)

DATASHEET

Mechanical Footprint Dimensions (mm)

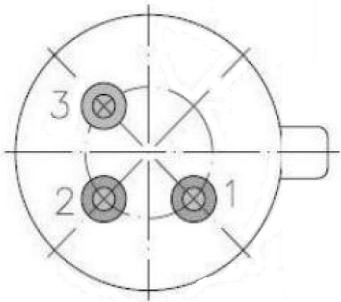


Standard Package for Infrared Band. For other wavelength band, size may vary due to special detector configurations.

*Product dimensions may change without notice. This is sometimes required for non-standard specifications.

PD PIN Assignments

PIN:



- Type A:
【1】 PD +
【2】 PD -
【3】 CASE

Bottom View

Fiber Coupled High-Speed InGaAs PIN Photodiode



(all fiber types, SM, PM, MM, 900 to 1600nm., high speed up to 0.3ns)

DATASHEET

Ordering Information

Prefix	Wavelength	Speed	Package	Fiber Type	Fiber Cover	Fiber Length	Connector
FCHI-	800 - 2500 = 1 Special = 0	0.2GHz = 8 2.5GHz = 2 5GHz = 5 5MHz = 6	Standard = 1 Special = 0	<i>Choose from table below</i>	0.9mm tube = 3 Bare fiber = 1 Special = 0	0.25m = 1 0.5m = 2 1.0 m = 3 1.5 m = 5 Special = 0	None = 1 FC/PC = 2 FC/APC = 3 SC/PC = 4 SC/APC = 5 ST/PC = 6 LC/PC = 7 LC/APC = A LC/UPC = U Special = 0

Fiber Type Selection Table:

01	SMF-28	34	PM1550	71	MM 50/125µm
02	SMF-28e	35	PM1950	72	MM 62.5µm
03	Corning XB	36	PM1310	73	105/125µm
04	SM450	37	PM400	74	FG105LCA
05	SM1950	38	PM480	75	FG50LGA
06	SM600	39	PM630	76	STP 50/125
07	Hi780	40	PM850	77	200µm
08	SM800	41	PM980	78	400µm
09	SM980	42	PM780	79	800µm
10	Hi1060	43	PM350		
11	SM400	44	PM405		
12		45	PM460		
13		46			

Application Notes

Fiber Core Alignment

Note that the minimum attenuation for these devices depends on excellent core-to-core alignment when the connectors are mated. This is crucial for shorter wavelengths with smaller fiber core diameters that can increase the loss of many decibels above the specification if they are not perfectly aligned. Different vendors' connectors may not mate well with each other, especially for angled APC.

Fiber Cleanliness

Fibers with smaller core diameters (<5 µm) must be kept extremely clean, contamination at fiber-fiber interfaces, combined with the high optical power density, can lead to significant optical damage. This type of damage usually requires re-polishing or replacement of the connector.

Maximum Optical Input Power

Due to their small fiber core diameters for short wavelength and high photon energies, the damage thresholds for device is substantially reduced than the common 1550nm fiber. To avoid damage to the exposed fiber end faces and internal components, the optical input power should never exceed 20 mW for wavelengths shorter 650nm. We produce a special version to increase the handling by expanding the core side at the fiber ends.

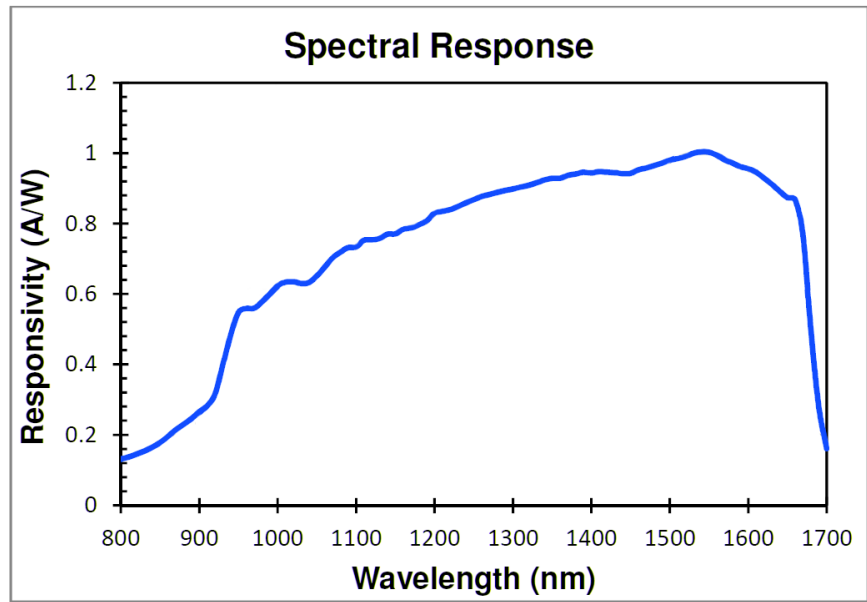
Fiber Coupled High-Speed InGaAs PIN Photodiode



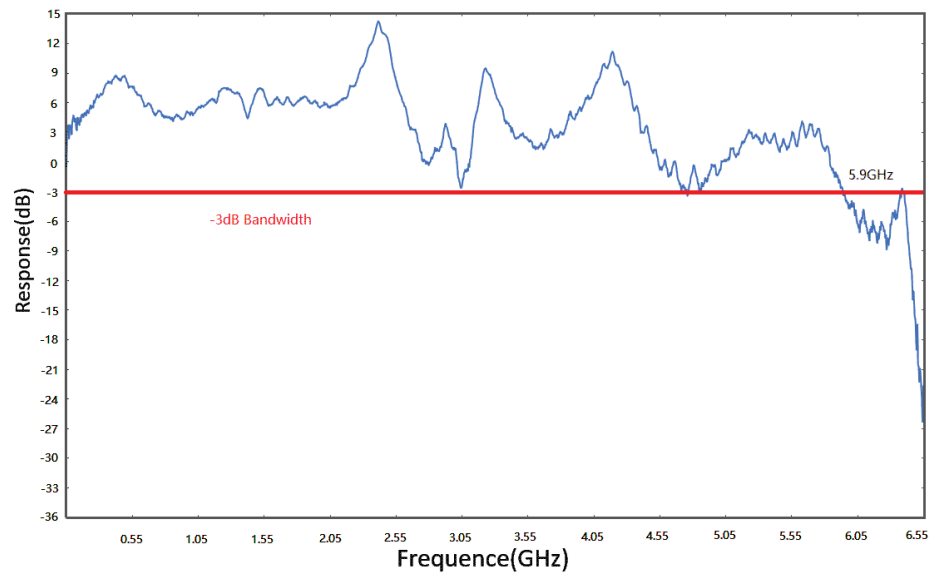
(all fiber types, SM, PM, MM, 900 to 1600nm., high speed up to 0.3ns)

DATASHEET

Spectral Response



Typical Performance for 5GHz



Information contained herein is deemed to be reliable and accurate as of the issue date. Photonwares reserves the right to change the design or specifications at any time without notice. Agiltron is a registered trademark of Photonwares Corporation in the U.S. and other countries.

Fiber Coupled High-Speed InGaAs PIN Photodiode

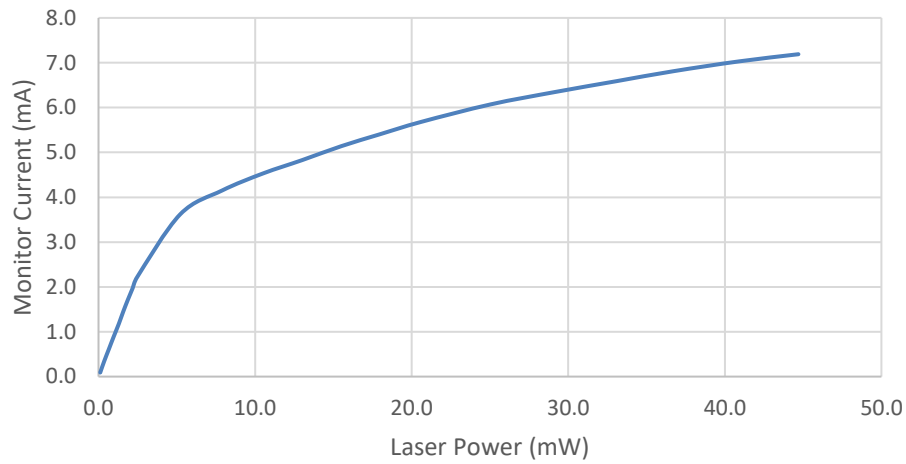


(all fiber types, SM, PM, MM, 900 to 1600nm., high speed up to 0.3ns)

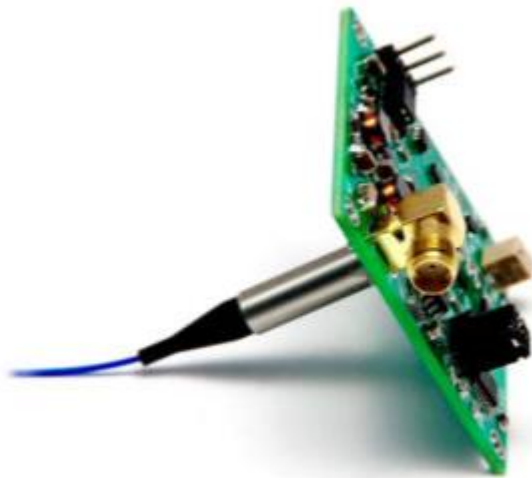
DATASHEET

Typical Response @ 1550nm

Monitor Current vs Laser Power



Amplifier Mounted Option



Low-Noise Optical Detector Amplifier

DETA-11A221111

\$165

<https://agiltron.com/product/precision-optical-detector-amplifier/>